



Basin Faucet Model: XN3S



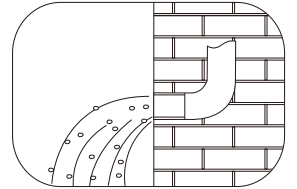
All Finishes: Clean the finish with mild soap and warm water. Wipe entire surface completely dry with clean soft cloth. Many cleaners may contain chemicals, such as ammonia, chlorine, toilet cleaner etc. which could adversely affect the finish and are not recommended for cleaning.



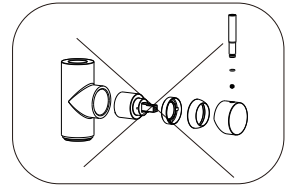
For easy installation of your faucet, please READ ALL the instructions completely before beginning.

Safety Notes

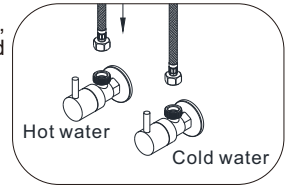
Before installation, please clean out the pipe which will connect to the faucet, or the mud or dirt in the pipe will block the faucet and result in poor water supply. Make sure the output pressure of cold and hot water meet the requirements of faucet.



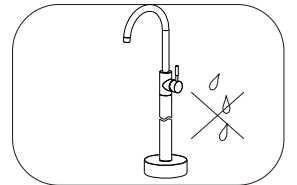
The valve cartridge and other parts of faucet have been justified well by manufacturer, please don't disassemble them by yourself.



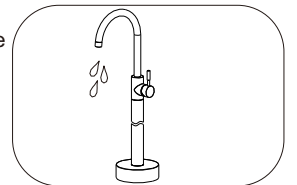
Connect the stainless steel braided hose to the corner valve, making sure the hot water port is on the left corner valve and the cold water port is on the right corner valve.



After installation, inspect all connections for leaks.



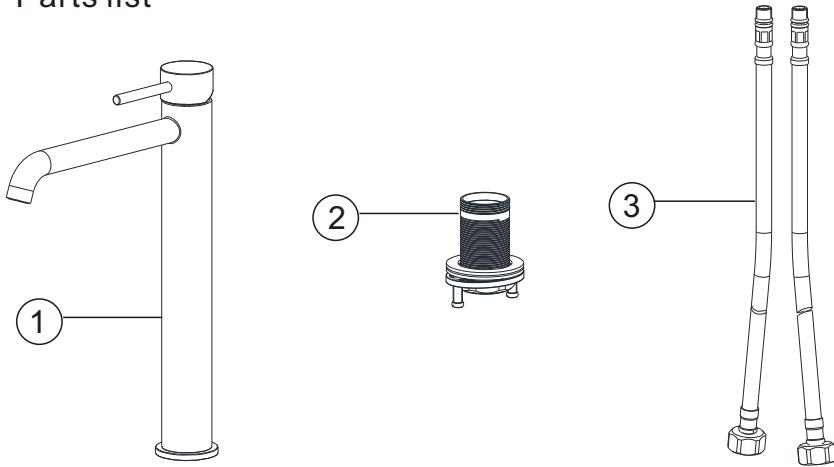
When the room temperature is under 1°C, unscrew the and discharge the water in the faucet, otherwise the faucet maybe be broken by ice.



Tapware is to be installed by a Licensed Plumber in accordance with Recommended working water pressure 300-500 kpa. Maximum water temperature is 65 deg.c

Installation Instruction For Basin Faucet

Parts list



Installation

A. Before drilling the holes, please drill the holes according to Figure A $\varnothing 35$. Users can make appropriate changes according to their actual needs, but must be in line with the actual situation of the product.

B. Refer to Figure B. Remove the bottom mounting parts from the main unit in turn, then insert the body unit into the mounting holes and adjust the proper position. (The base or the body and the table contact should be put on the gasket) set on the rubber gasket, stainless steel gasket and nut.

C. In adjusting the faucet position with the nut clockwise direction to lock the faucet to fix the faucet on the countertop.

D. Tighten the inlet braided hose on the water supply valve respectively.

E. Make sure all connections are tightened, open the drain, turn on the main water supply, and check if there are leaks in all parts of the faucet. Translated with www.DeepL.com/Translator (free version)

