



Basin mixer Model: XN7S



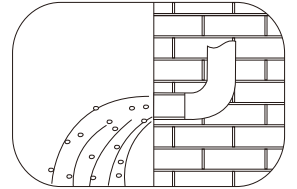
All Finishes: Clean the finish with mild soap and warm water. Wipe entire surface completely dry with clean soft cloth. Many cleaners may contain chemicals, such as ammonia, chlorine, toilet cleaner etc. which could adversely affect the finish and are not recommended for cleaning.



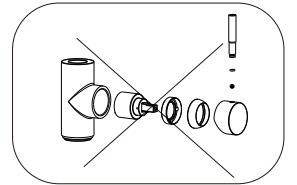
For easy installation of your faucet, please READ ALL the instructions completely before beginning.

Safety Notes

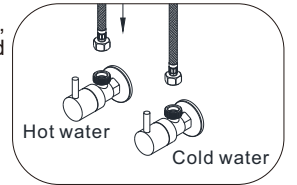
Before installation, please clean out the pipe which will connect to the faucet, or the mud or dirt in the pipe will block the faucet and result in poor water supply. Make sure the output pressure of cold and hot water meet the requirements of faucet.



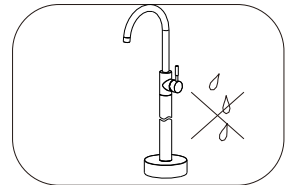
The valve cartridge and other parts of faucet have been justified well by manufacturer, please don't disassemble them by yourself.



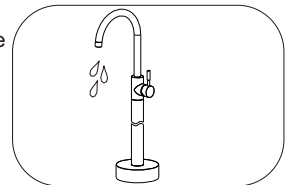
Connect the stainless steel braided hose to the corner valve, making sure the hot water port is on the left corner valve and the cold water port is on the right corner valve.



After installation, inspect all connections for leaks.



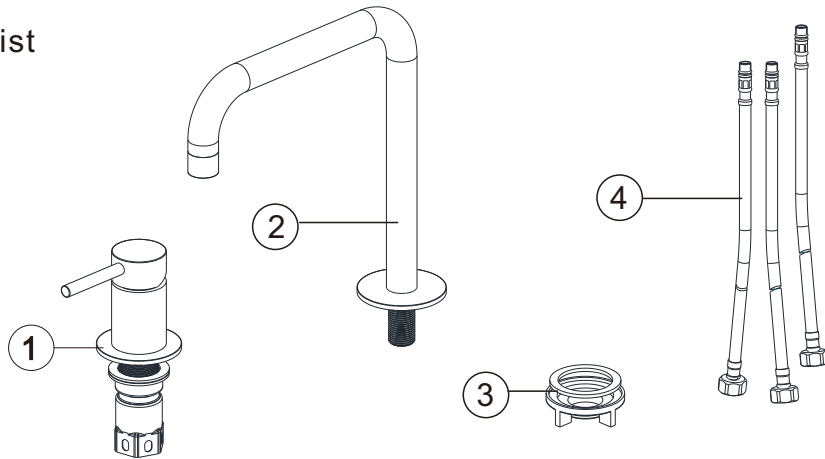
When the room temperature is under 1°C, unscrew the and discharge the water in the faucet, otherwise the faucet maybe be broken by ice.



Tapware is to be installed by a Licensed Plumber in accordance with Recommended working water pressure 300-500 kpa. Maximum water temperature is 65 deg.c

Installation Instruction For Basin Faucet

Parts list



Installation

A. Before drilling, please drill holes according to Figure A $\phi 35$ and $\phi 25$, the center distance of the two holes is 120mm. (Users can make appropriate changes according to their actual needs, but must be consistent with the actual situation of the product)

B. Referring to Figure B, first connect the braided hose as shown; remove the bottom mount from the body, then insert the body with the switch mechanism into the mounting holes and adjust to the proper position. (A gasket surface should be installed on the base or body in contact with the table surface.) Install the rubber gasket, stainless steel gasket and nut.

C. Lock the faucet with the nut in clockwise direction when adjusting the faucet position to fix the faucet on the table surface.

D. Connect the outlet braided hose on the switch to the outlet nozzle, and then tighten the inlet hose to the angle valve.

E. Figure E shows the diagram after the pipe connection.

F. Make sure all connections are tightened, open the drain, turn on the main water supply, and check for leaks in all parts of the faucet.

